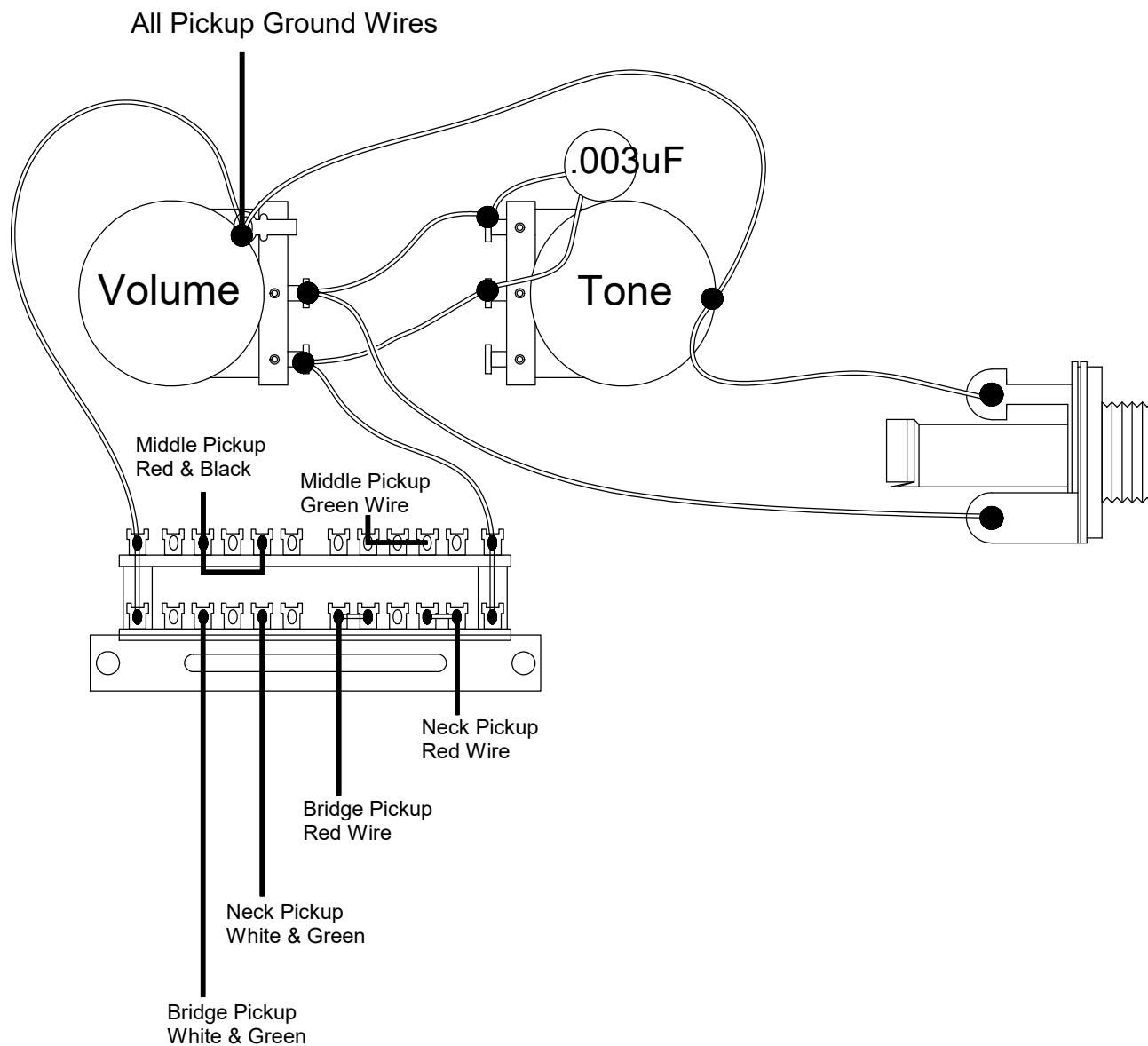


Wiring: Ultra Max Special H/H/H



Lundgren Design Pickups + Mini Hum
Red wire = North Start (Hot)
White wire = North End
Green Wire = South End
Black Wire = South Start

Drawing: David Lee