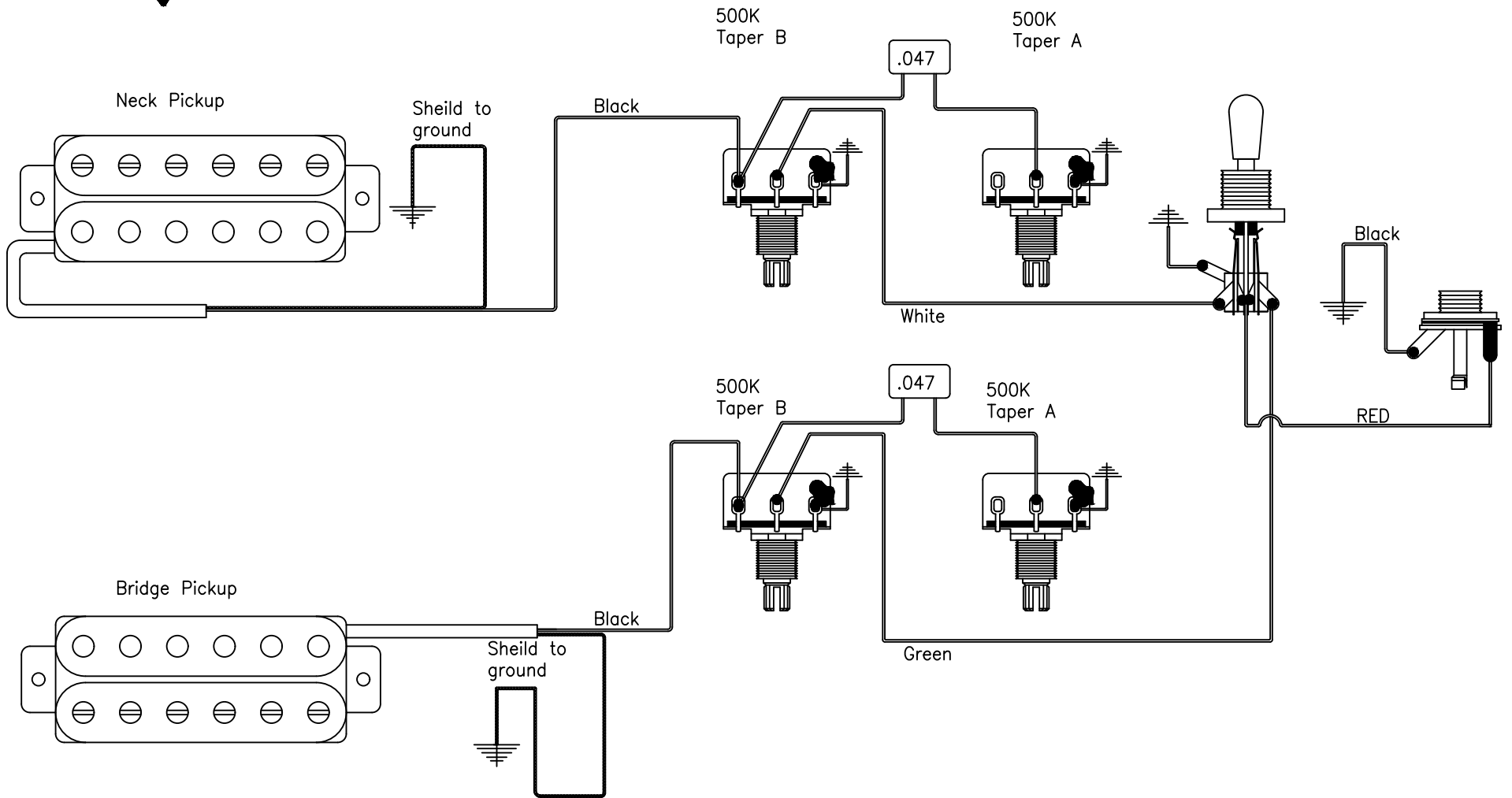


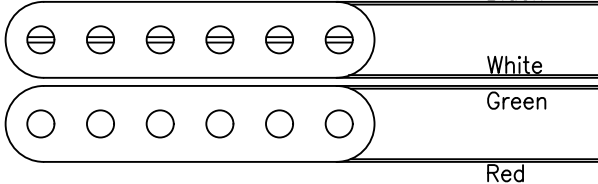
# Hagstrom

## HJ-500, HJ-600, HJ-800



Pickup: HJ-50 (HJ-500-600)

Custom 58 HJ-800



NOTE: Wire color codes may change without notice

Model: HJ-500, HJ-600, HJ-800

Brand Hagstrom

Note: This wiring grounds both pickups either volume control

March 16, 2005

Drawing: Tricor AB