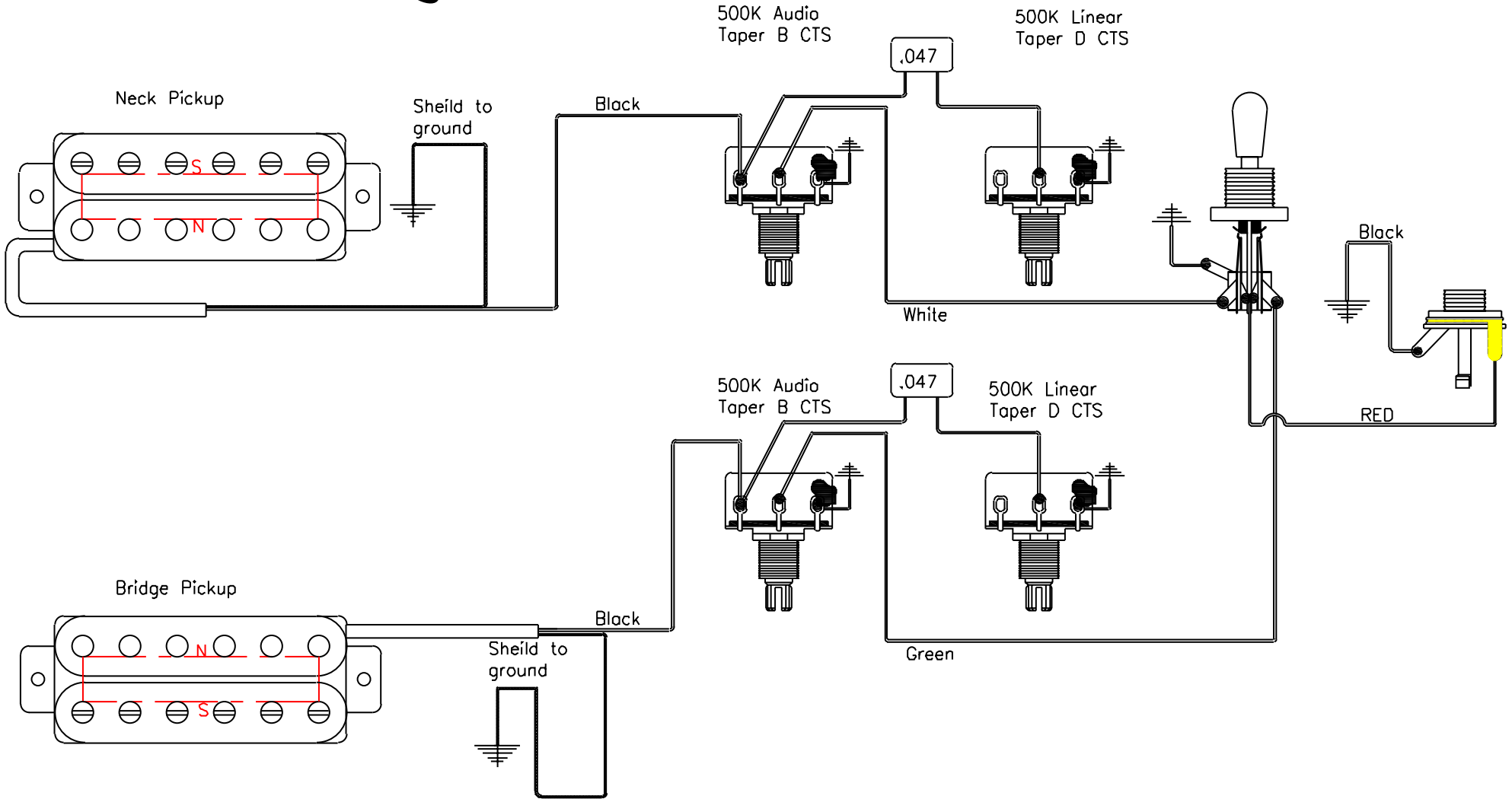
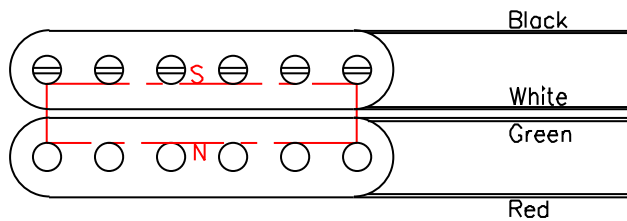


Hagstrom

Viking Deluxe



Pickup: HJ-50



NOTE: Wire color codes may change without notice

Model: Viking Deluxe
Make: Hagstrom
Note: This wiring grounds both pickups either volume control
March 16, 2005
Drawing: David Lee